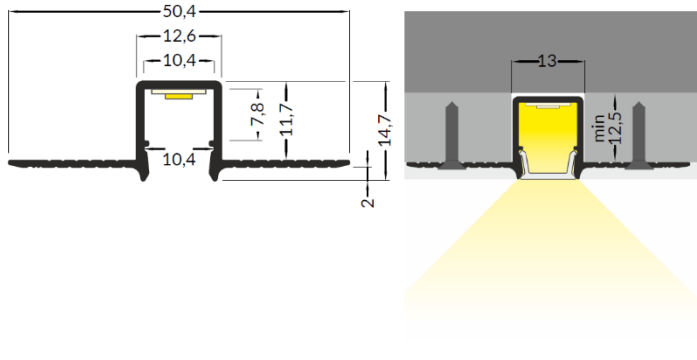


# INSTALLATION GUIDE

Product Name: RECESSED PLASTER-IN PROFILE

Product Code: K01-1190-2.4M



## Installation (Maximum LED Tape Width 10mm)

**I** mounting space = length of the luminaire

length of the LED profile

2 mm

2 mm

4.3 mm

2 mm

**II**

The length of the cover is equal to the length of the profile.

**III**

Dimensions of the space to install LED source

**IV**

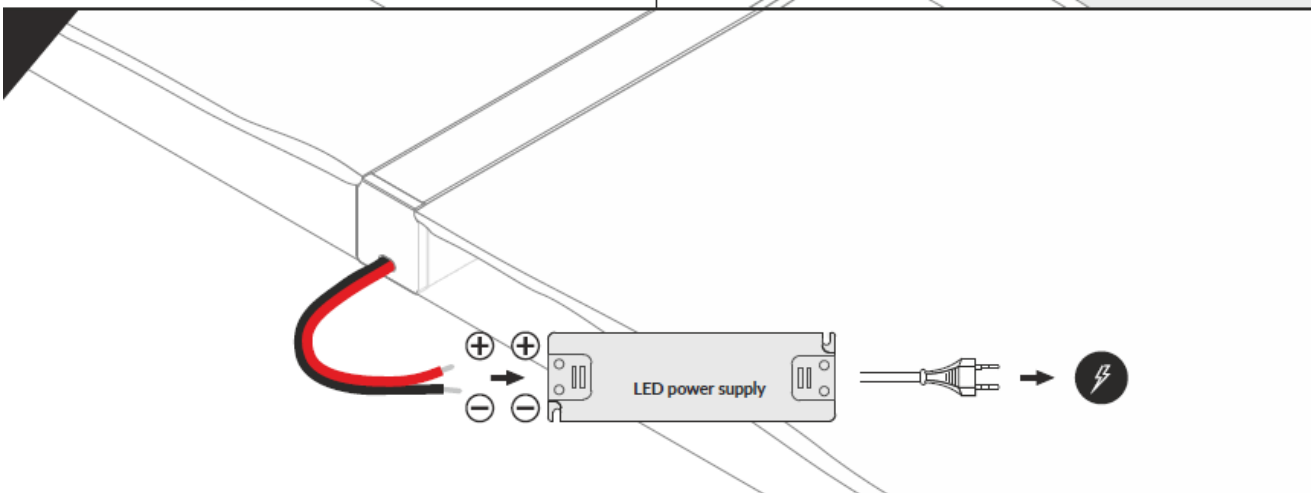
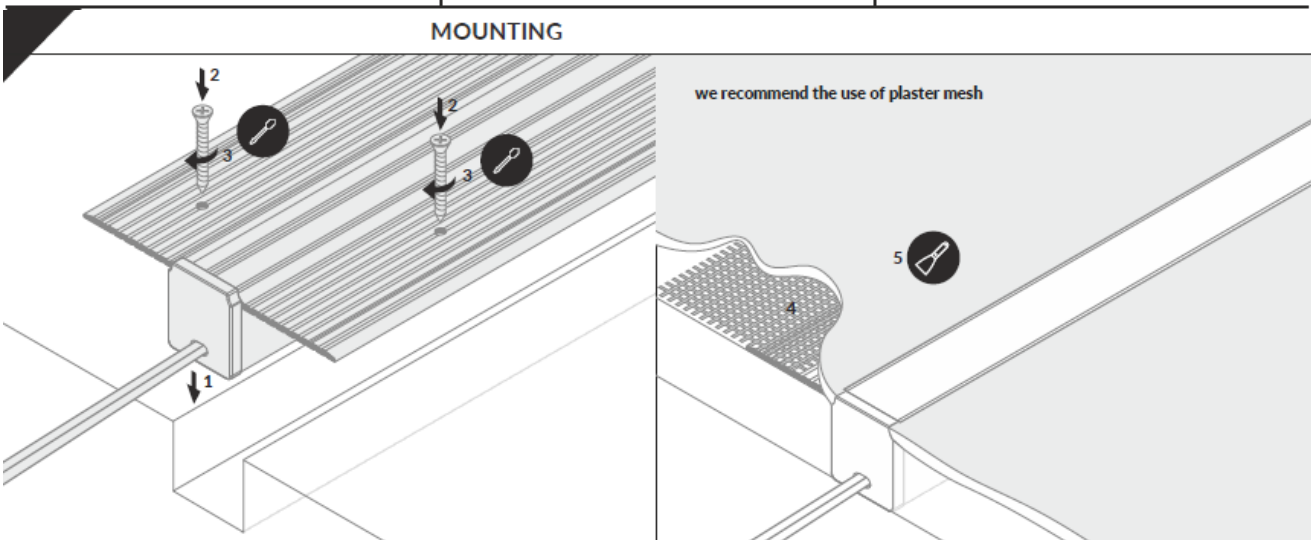
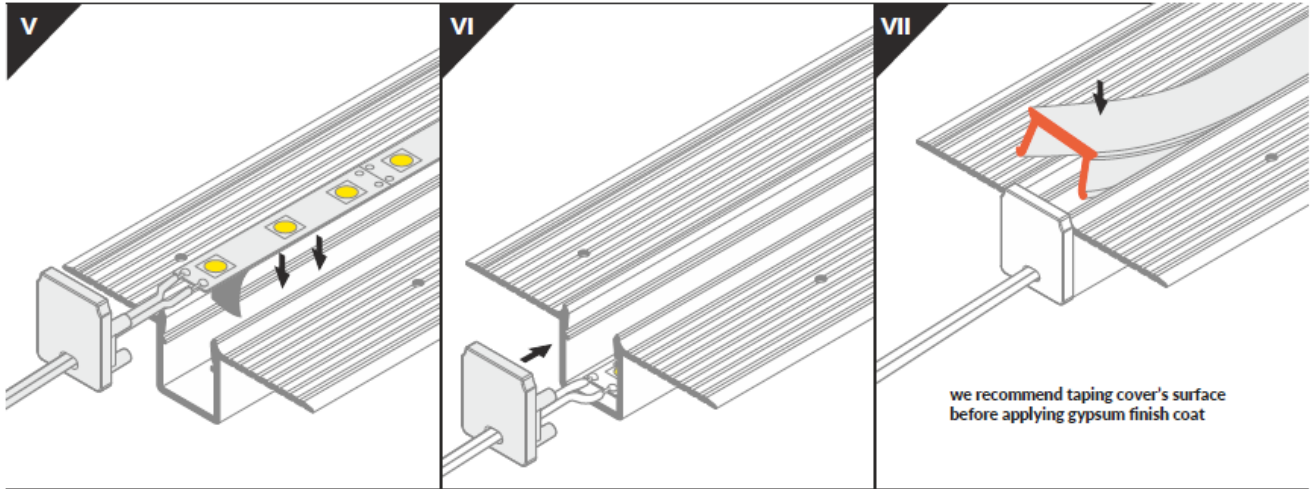
Fixing screw hole (drilling every 500 mm is recommended)



For further details, prices and/or to order contact

+44 (0)1302 741941 | [sales@tlwglobal.com](mailto:sales@tlwglobal.com) | [tlwglobal.com](http://tlwglobal.com)

TLW Brunel House, Brunel Close, Harworth, Doncaster, South Yorkshire, DN11 8QA



**Important Safety Information**

The installation should be carried out by a qualified electrician in compliance with the current edition of the IEE wiring regulations.