

Product Name: Bypass for K30-2060

Product Code: K30-2060B



### Kit Contents

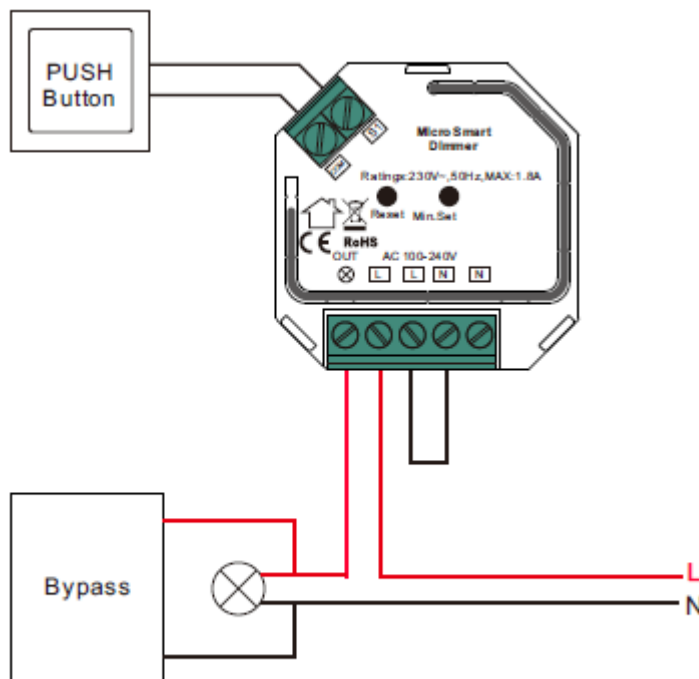
- Bypass for K30-2060

### Important Safety Information

## DISCLAIMER: PLEASE NOTE INSTALLATION SHOULD BE CARRIED OUT BY A QUALIFIED ELECTRICIAN!

- The Bypass is a device designed to work with 2-wire dimmer or switch with no neutral wire, to be used with LED bulbs or energy saving compact fluorescent lamps. The Bypass prevents LEDs from flickering and turned off compact fluorescent lamps from glowing.
- In 2-wire connection the Bypass reduces the minimum power of load required by the dimmer or switch for correct operation. The Bypass provides powering of the dimmer or switch in case of controlling low loads.
- DO NOT install with power applied to device.
- DO NOT expose the device to moisture.

### Wiring Diagram



**Note:** Please follow the detailed wiring diagram of corresponding 2-wire dimmer or switch.

Product Name: Bypass for K30-2060

Product Code: K30-2060B

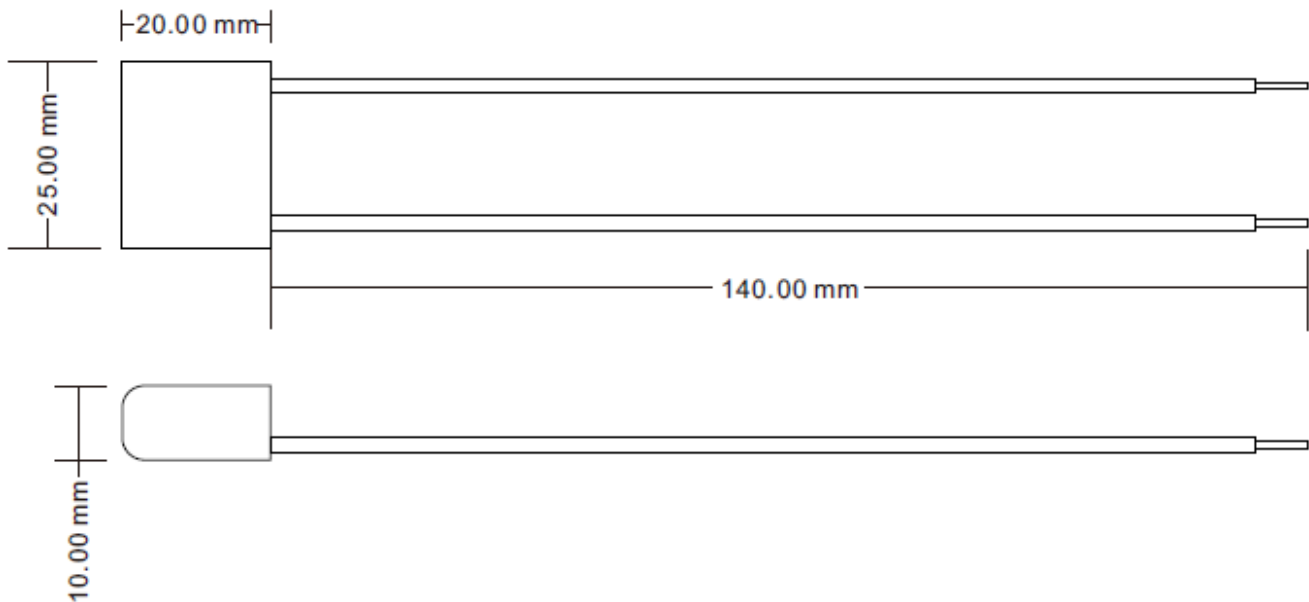


## Other Information

## Product Data

Power supply	AC 100-240V, 50/60Hz
Power consumption	< 1.4W
Operating temperature	0 to 40°C
Relative humidity	8% to 80%
Dimensions	25x20x10mm

## Product Dimensions



For further details, prices and/or to order contact

+44 (0)1302 741941 | [sales@tlwglobal.com](mailto:sales@tlwglobal.com) | [tlwglobal.com](http://tlwglobal.com)

TLW Brunel House, Brunel Close, Harworth, Doncaster, South Yorkshire, DN11 8QA